

Fig. 1

Fig. 2

FIGURE 3

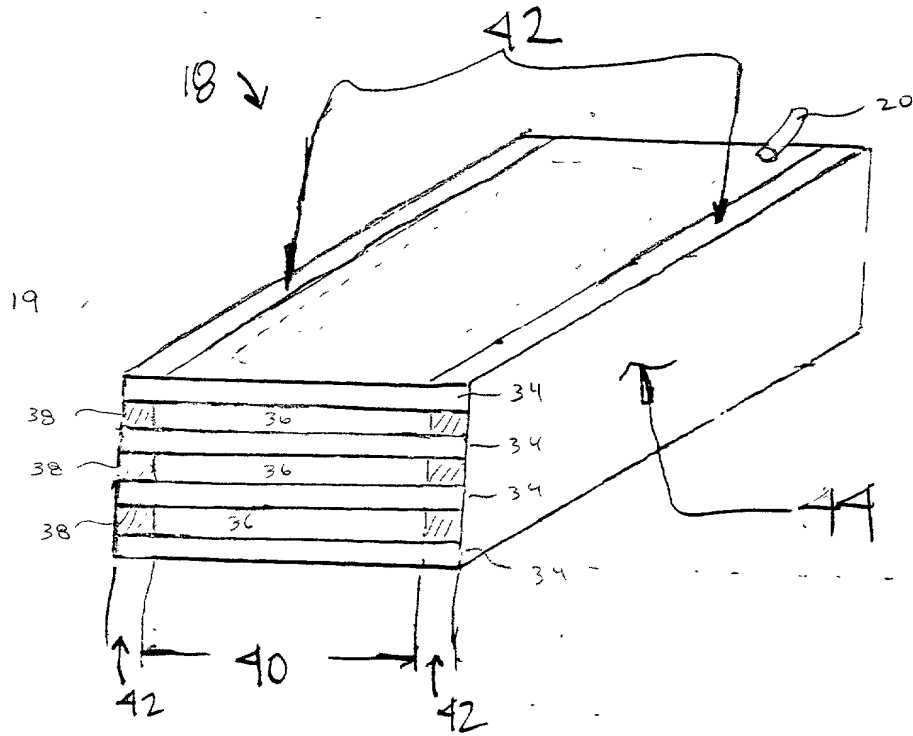


Figure 3

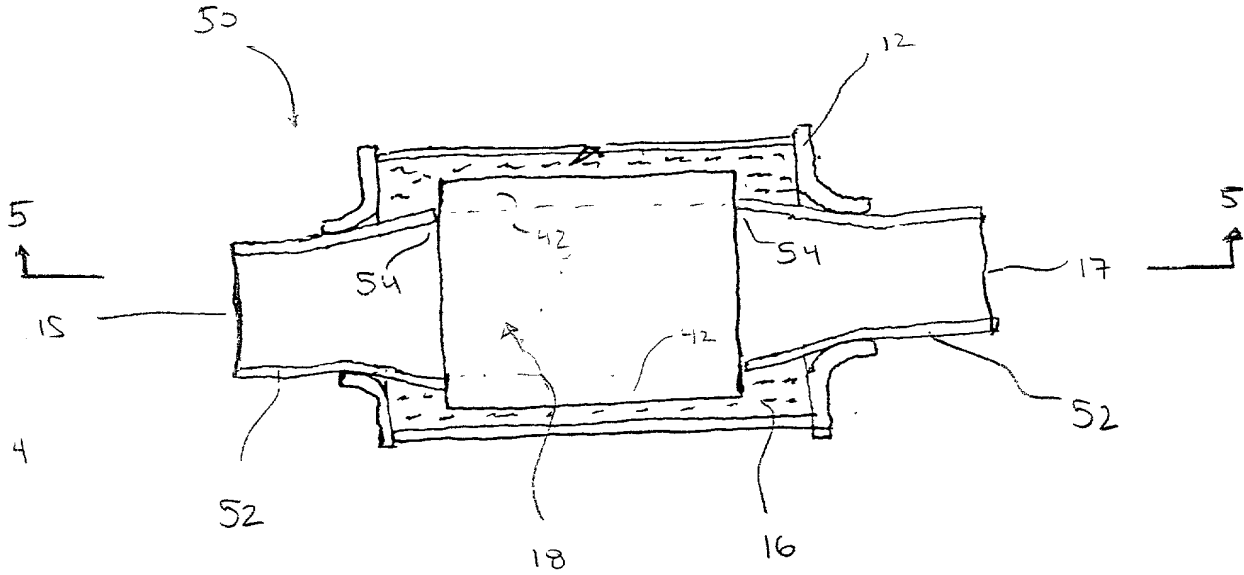


FIGURE 4

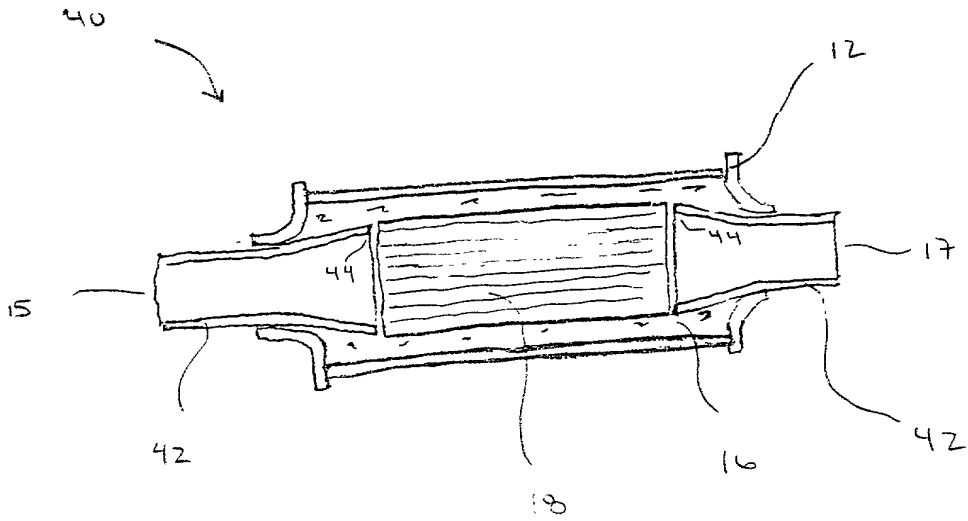


FIGURE 5

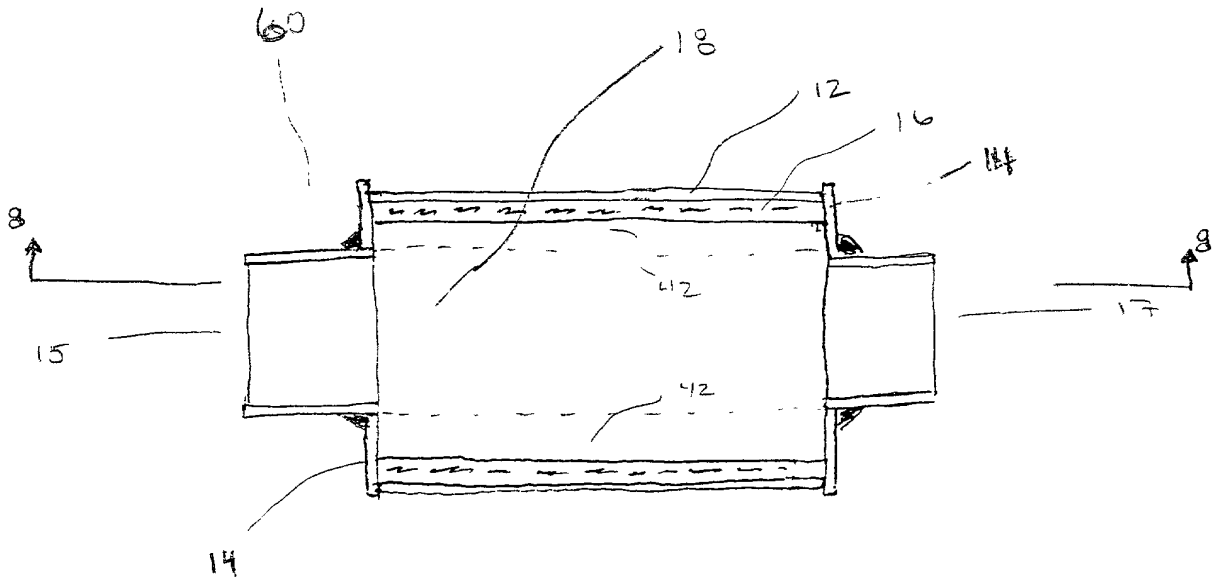


Figure 7

FIGURE 7

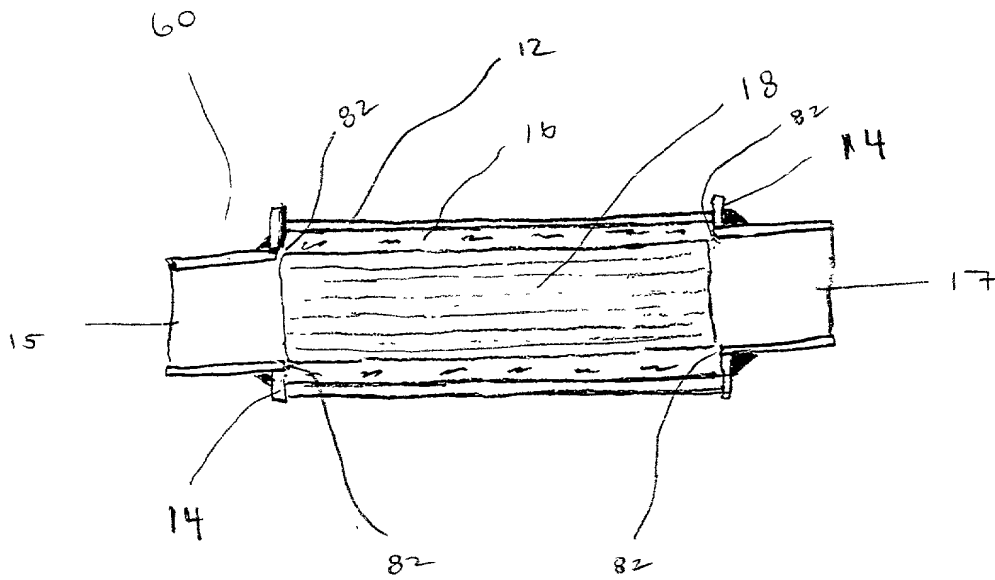


Figure 8

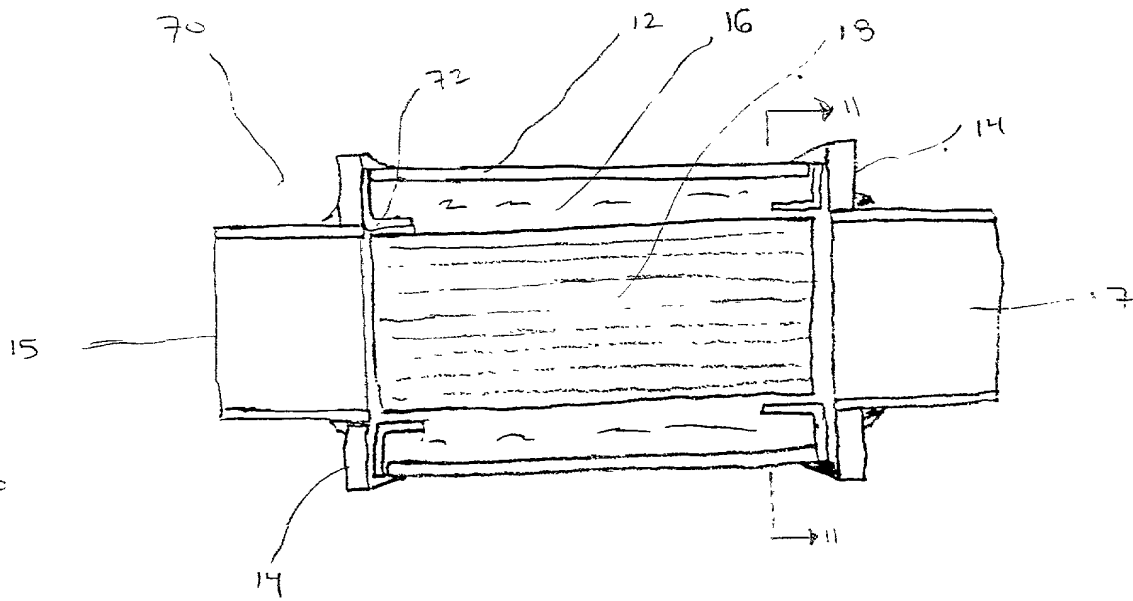


Figure 10

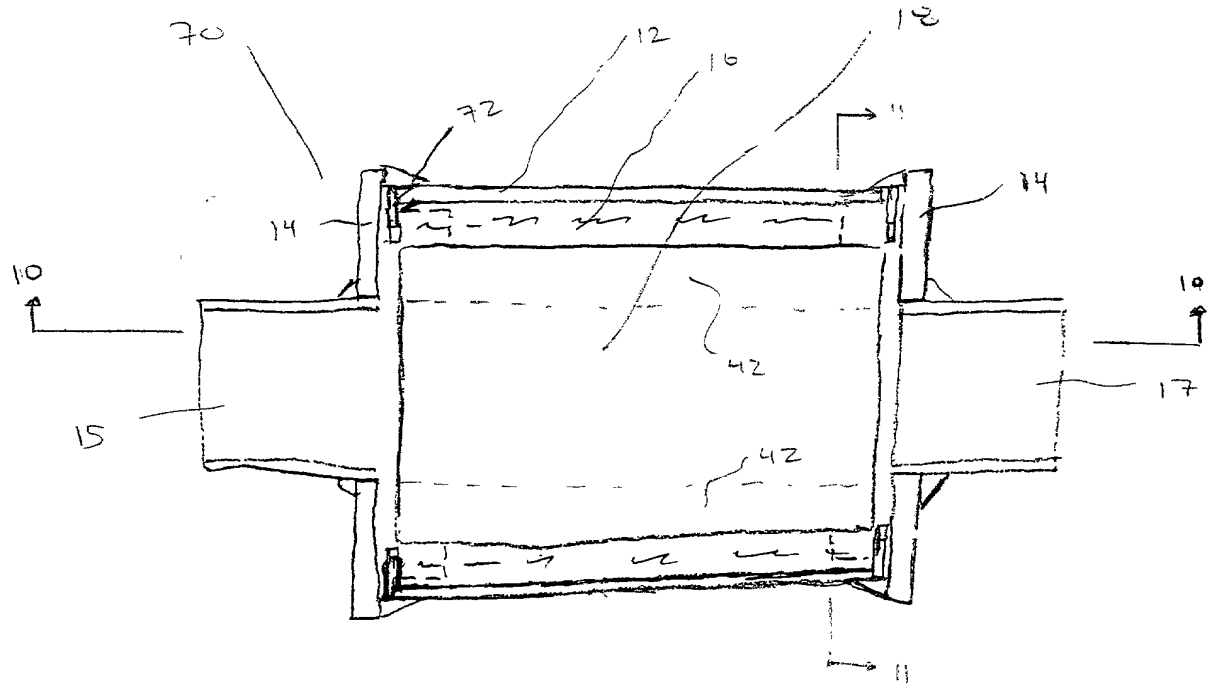


Figure 9

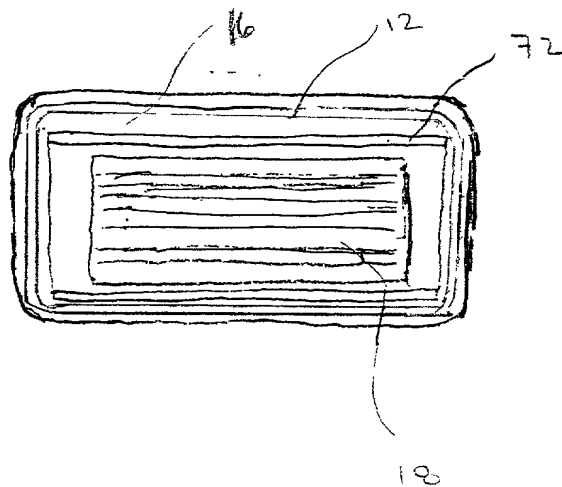


Figure 11

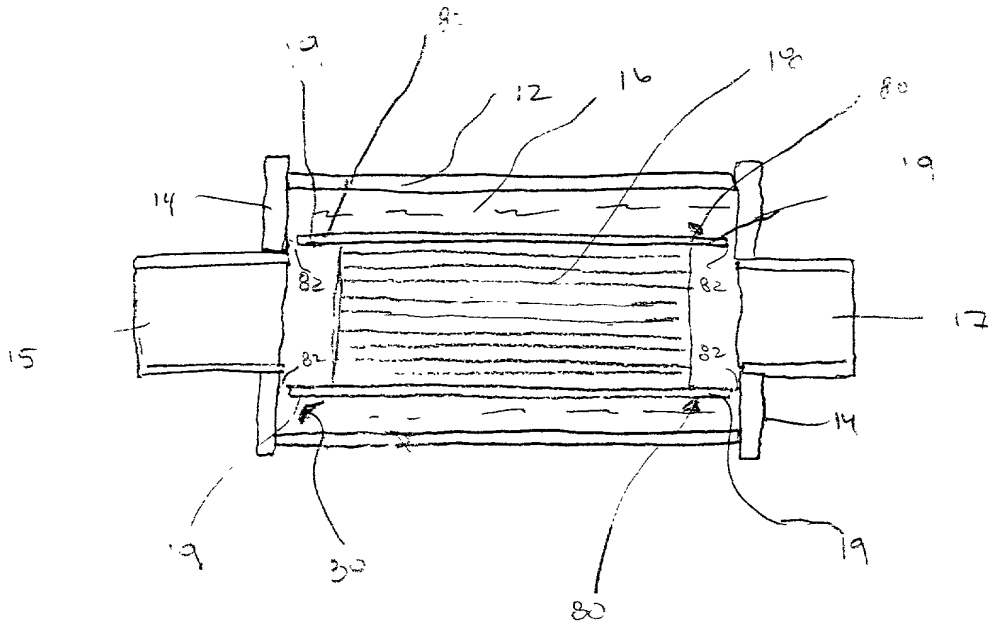


Figure 12

FIGURE 12

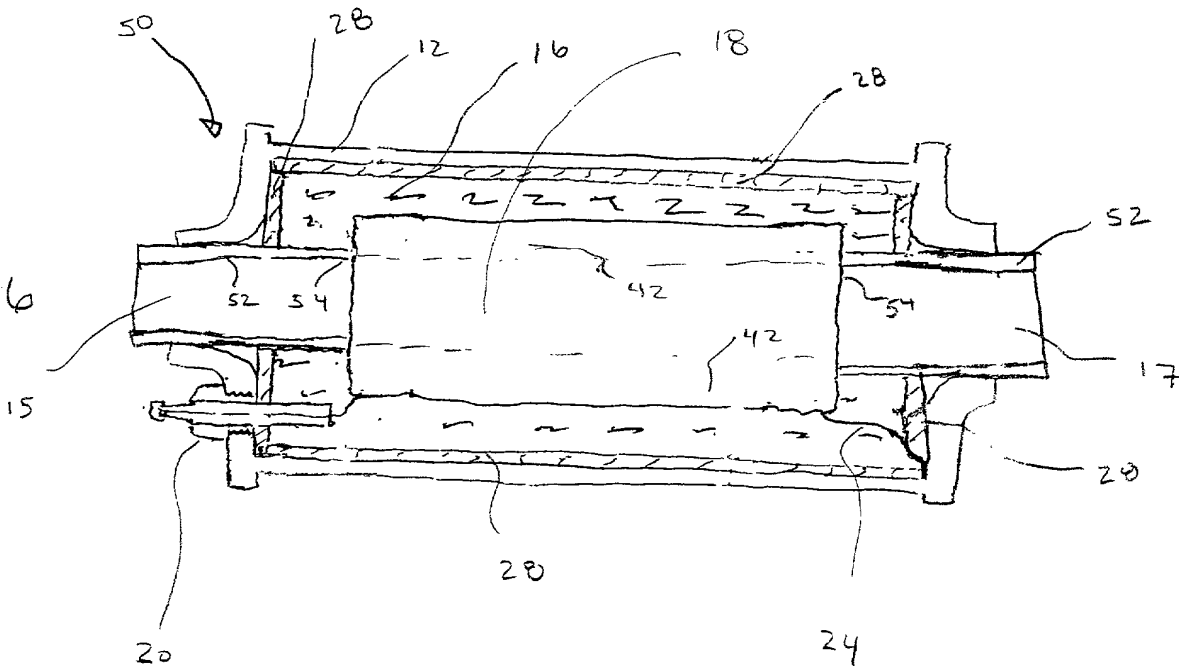


Figure 6

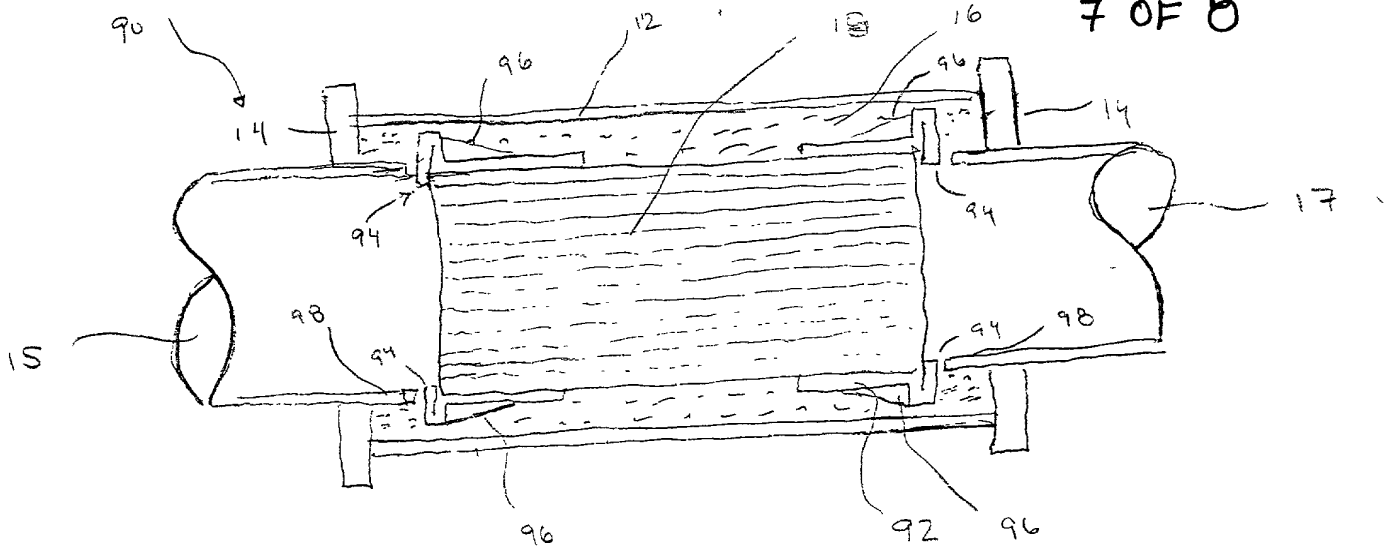


Figure 13

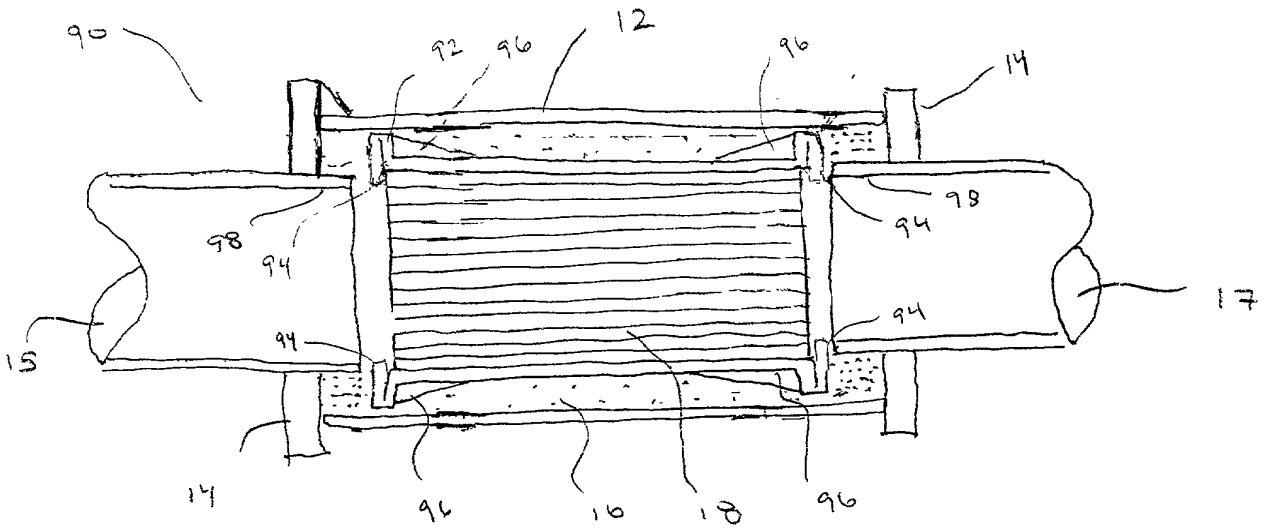


Figure 14

FOR F50 F49 F56

Figure 15

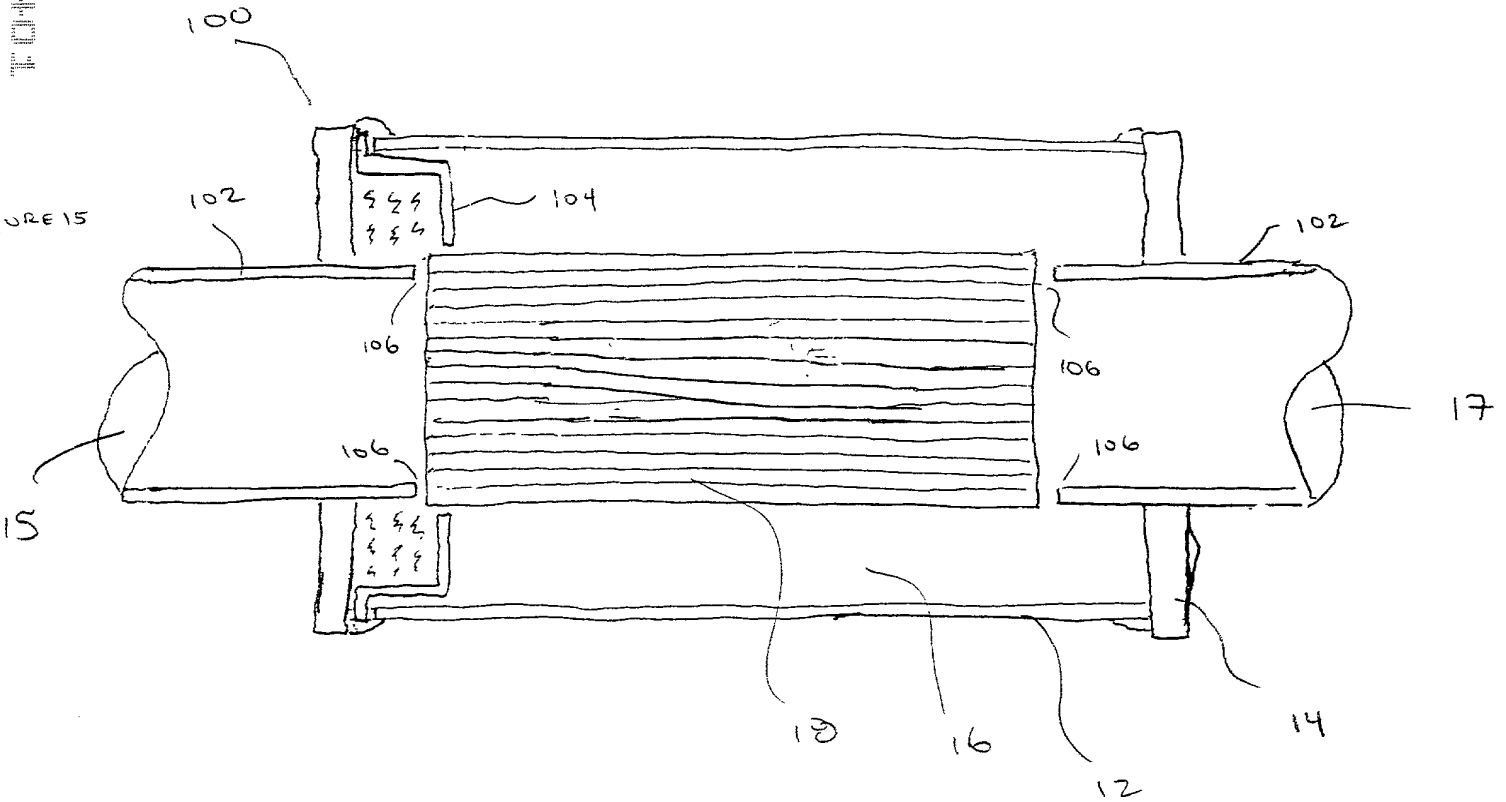


Figure 16

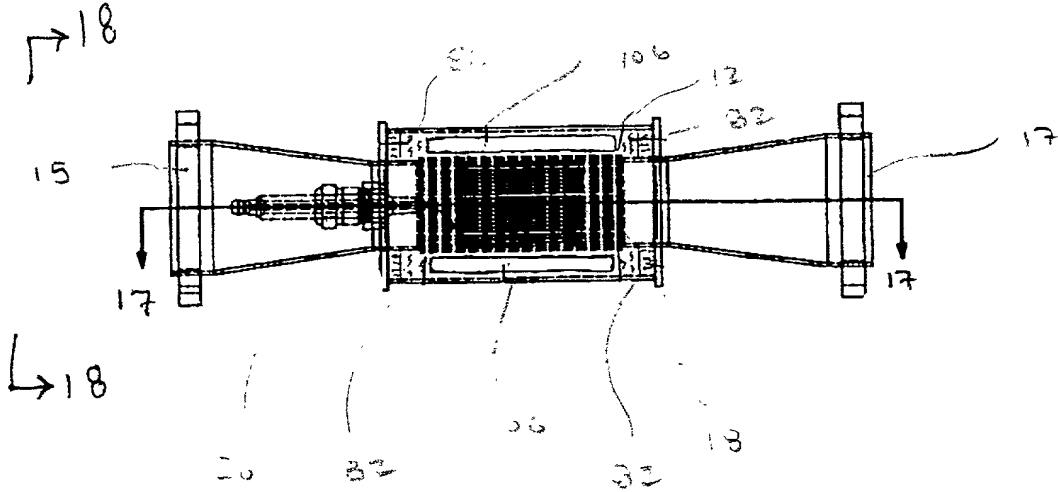


Figure 17

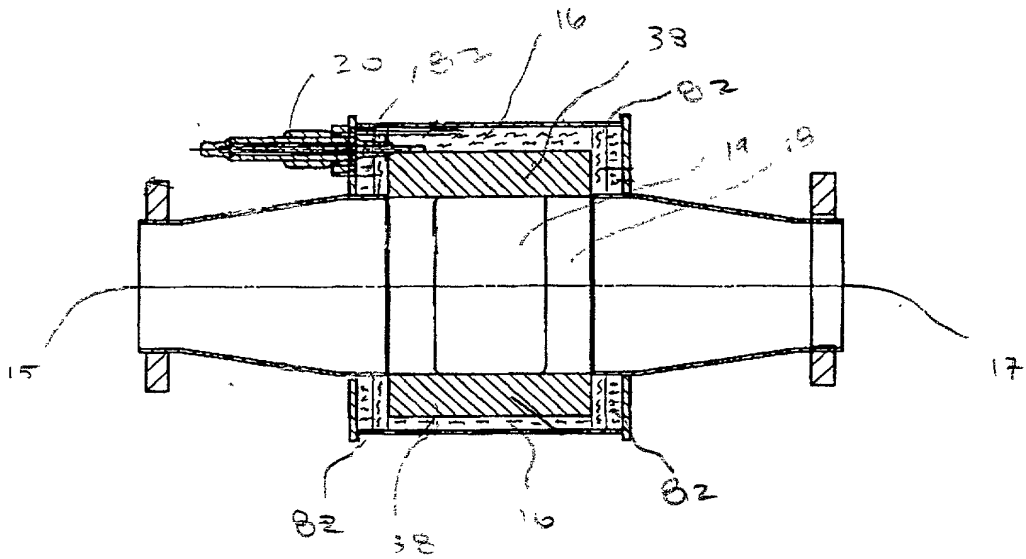


Figure 18

